

\* CONSUMER OWNED METERING REQUIRED AT MINIMUM OF TWO IDENTIFIED LOCATIONS (EXCEPT IF NET METER). CONSUMER MUST PROVIDE REAL TIME TELEMETRY TO SMECO AT THESE LOCATIONS.

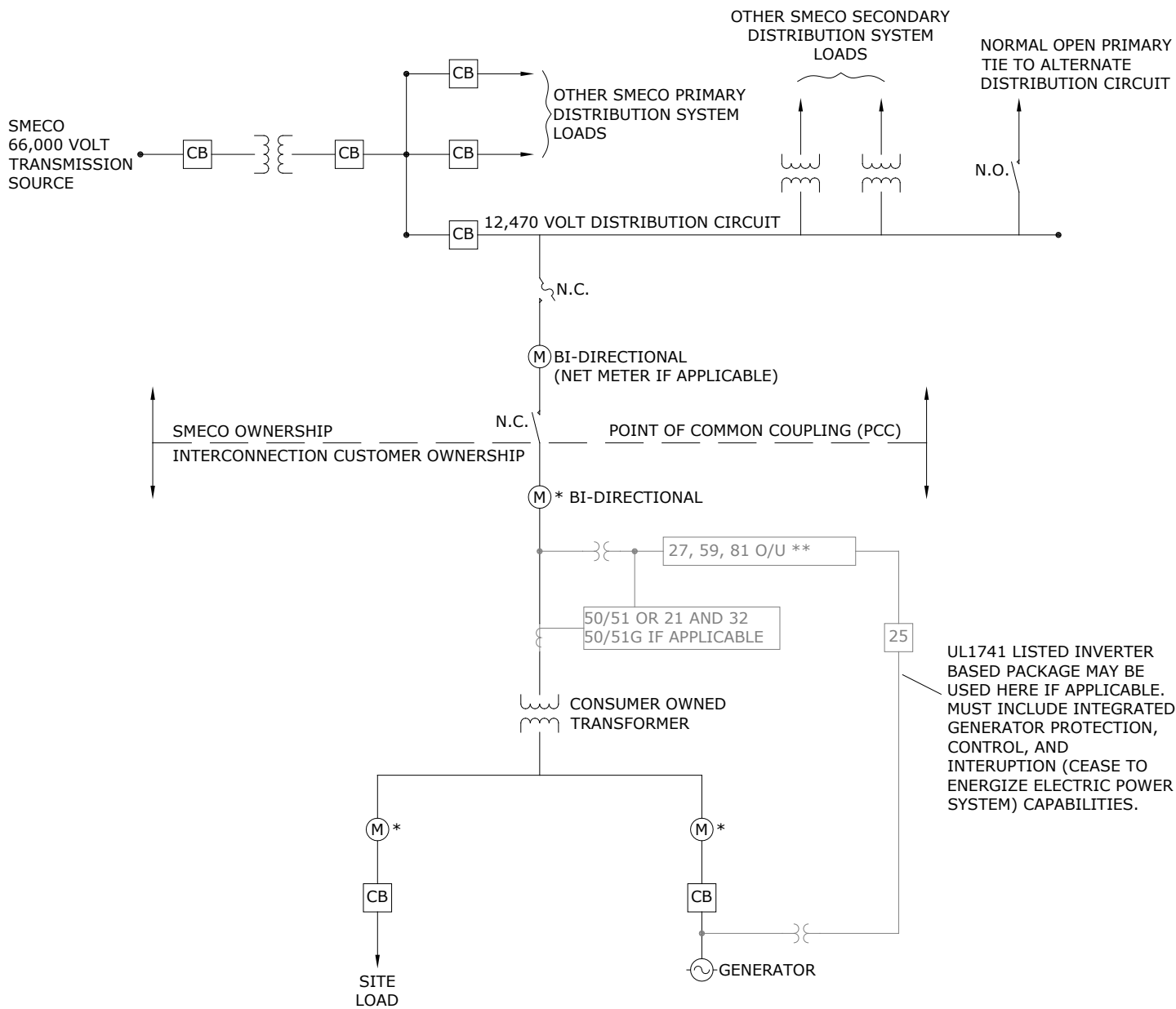
\*\* WYE GND / WYE GND VT CONNECTION. ONE SINGLE PHASE 81 O/U REQUIRED. THREE PHASE 27 AND 59 REQUIRED UNLESS 59G IS USED WITH SEPERATE WYE GND / OPEN CORNER DELTA VT SOURCE.

NOTE: SEE ALSO PJM MANUAL 14B ATTACHMENT H "SMALL GENERATOR (10MW AND BELOW) TECHNICAL REQUIREMENTS AND STANDARDS".

SOUTHERN MARYLAND ELECTRIC COOPERATIVE, INC.  
HUGHESVILLE, MARYLAND 20637

**TYPICAL INTERCONNECTION  
TO SMECO SECONDARY DISTRIBUTION  
SYSTEM (2 MW OR LESS)**

DRAWN	JML	DATE	9-10-08
CHECKED	HDR	UNIT NO.	
APPROVED	KLW	DWG. NO.	A-4560
SCALE	Not to scale	SHT. NO.	1 OF 1



\* CONSUMER OWNED METERING REQUIRED AT MINIMUM OF TWO IDENTIFIED LOCATIONS (EXCEPT IF NET METER). CONSUMER MUST PROVIDE REAL TIME TELEMETRY TO SMECO AT THESE LOCATIONS.

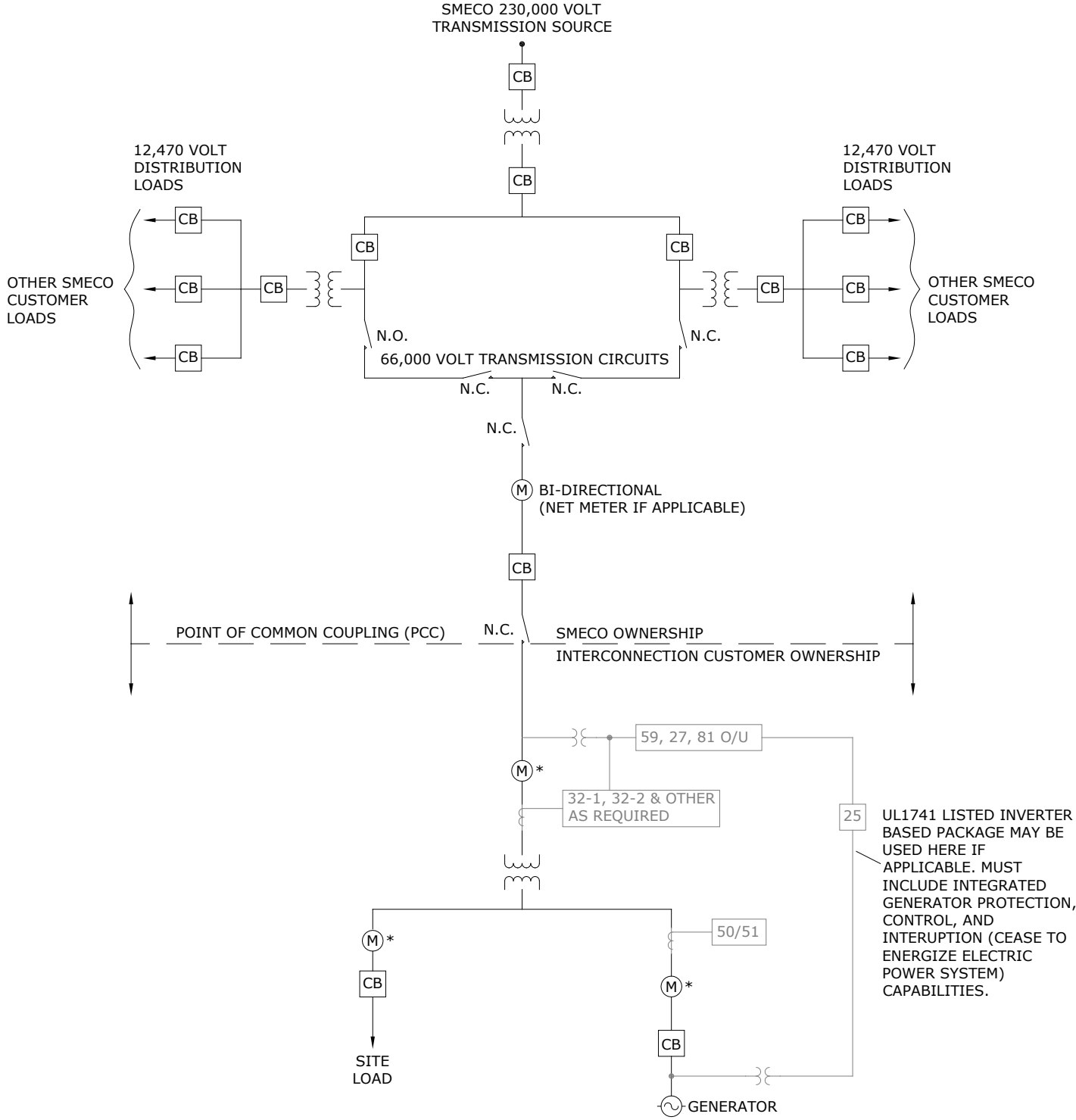
\*\* WYE GND / WYE GND VT CONNECTION. ONE SINGLE PHASE 81 O/U REQUIRED. THREE PHASE 27 AND 59 REQUIRED UNLESS 59G IS USED WITH SEPERATE WYE GND / OPEN CORNER DELTA VT SOURCE.

NOTE: SEE ALSO PJM MANUAL 14B ATTACHMENT H "SMALL GENERATOR (10MW AND BELOW) TECHNICAL REQUIREMENTS AND STANDARDS".

SOUTHERN MARYLAND ELECTRIC COOPERATIVE, INC.  
HUGHESVILLE, MARYLAND 20637

### TYPICAL INTERCONNECTION TO SMECO PRIMARY DISTRIBUTION SYSTEM (10 MW OR LESS)

DRAWN <u>  JML  </u>	DATE <u>  9-10-08  </u>
CHECKED <u>  HDR  </u>	UNIT NO. <u>          </u>
APPROVED <u>  KLW  </u>	DWG. NO. <u>  A-4561  </u>
SCALE <u>  Not to scale  </u>	SHT. NO. <u>  1  </u> OF <u>  1  </u>



\* CONSUMER OWNED METERING REQUIRED AT MINIMUM OF TWO IDENTIFIED LOCATIONS (EXCEPT IF NET METER). CONSUMER MUST PROVIDE REAL TIME TELEMETRY TO SMECO AT THESE LOCATIONS.

NOTE: SEE ALSO PJM MANUAL 14B ATTACHMENT H "SMALL GENERATOR (10MW AND BELOW) TECHNICAL REQUIREMENTS AND STANDARDS".

SOUTHERN MARYLAND ELECTRIC COOPERATIVE, INC.  
HUGHESVILLE, MARYLAND 20637

**TYPICAL INTERCONNECTION TO SMECO 66KV TRANSMISSION SYSTEM (10 MW OR LESS)**

DRAWN	<b>JML</b>	DATE	<b>9-10-08</b>
CHECKED	<b>HDR</b>	UNIT NO.	
APPROVED	<b>KLW</b>	DWG. NO.	<b>A-4562</b>
SCALE	<b>Not to scale</b>	SHT. NO.	<b>1 OF 1</b>